

## MPPC15 Celeron Marine Panel PC

The Marine Panel PC 15 inch Celeron satisfies the needs of both, the latest and future generation of software for vessels and other marine applications. As you would expect, it is tested according to IACS E10 as well as EN 60945 for bridge use, approved by DNV GL. The MPPC15 Celeron is available with antireflex glass or with resistive touch screen, suitable for marine applications, with a choice of the latest Operating Systems and with DC or (and) AC power supply. Standard options like different memory and I/O Interfaces, can be easily configured for most applications. Individual options and customer specific features ensure that most demanding requirements can be fulfilled.

### SONOVE Services

- ✓ **Customer-specific Front Design**
- ✓ **Different OS (e.g. Windows, Linux, etc.)**
- ✓ **Customer-specific Images**
- ✓ **Customized Systems (HW / SW) incl. DNV GL Type Approvals**
- ✓ **Individual Turn Key Solutions (HMI/SCADA, Control, IEC61131, etc.)**

### Technical Data MPPC15 Celeron

**15" TFT Display classical 4:3, resolution 1024 x 768, brightness: 350 cd, LED Backlight contrast 1000:1**  
**antireflex glass / resistive touch**  
**IP67 front, IP40 back**

**CPU: Intel® Celeron®, 2 x 2.2 GHz**  
**RAM 4/8/16 GB**  
**SSD 64/128/256 GB**

**2 Ethernet 1 Gbit/s**  
**4 USB, 2 available at the front**  
**4 RS232 / 485 galv. Isolated**

**Power supply:**  
**24 VDC / 230 VAC**

**Temp. -15 to +55°C**

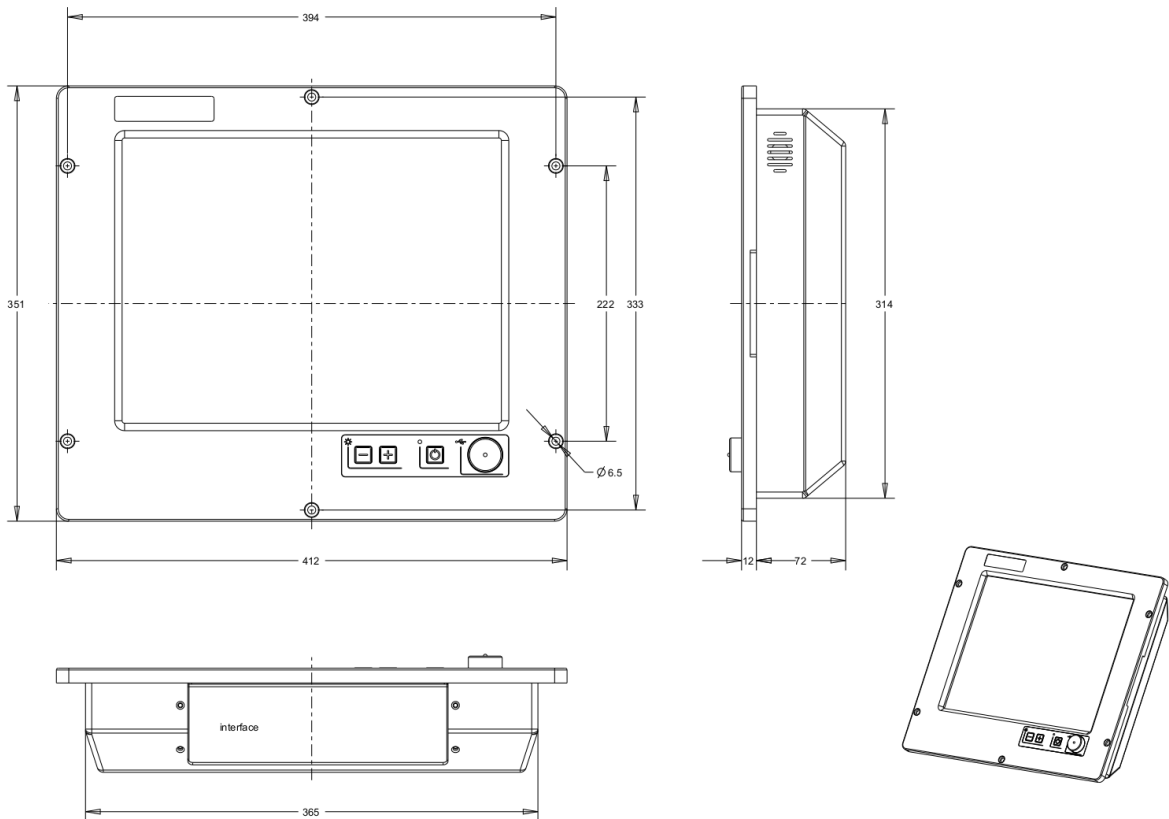
**Type Approvals:**  
**DNV GL**

**Tested acc. to EN 60945**



# MPPC15 Celeron

## drawings and order informations



### Order information

#### Marine Panel PC 15 Celeron

MPPC15 Celeron Glass DC	440.xx2.0000	Marine Panel PC, Intel® Celeron®, 2 x 2.2 GHz, 15" TFT, antireflex glass, Power supply 24VDC
MPPC15 Celeron RT DC	445.xx2.0000	Marine Panel PC, Intel® Celeron®, 2 x 2.2 GHz, 15" TFT, resistive touch, Power supply 24VDC
MPPC15 Celeron Glass AC	440.xx1.0000	Marine Panel PC, Intel® Celeron®, 2 x 2.2 GHz, 15" TFT, antireflex glass, Power supply 230VAC
MPPC15 Celeron RT AC	445.xx1.0000	Marine Panel PC, Intel® Celeron®, 2 x 2.2 GHz, 15" TFT, resistive touch, Power supply 230VAC

### Configuration

#### Flash Memory

SSD 64 GB	Solid State Disc, 64 GB
SSD 128 GB	Solid State Disc, 128 GB
SSD 256 GB	Solid State Disc, 256 GB

#### Operating System

Microsoft Windows®	Windows® 7 Professional for Embedded Systems Windows® 10 IoT Enterprise Windows® Embedded Standard 2009 (WES)
More ...	Request e.g. other Microsoft, Linux, Customized, etc.

#### Interface / Extension / Customized

More ... Call us, we'll design your solution

**Sonove** GmbH  
Hindelanger Str. 33  
87527 Sonthofen  
Deutschland  
Tel: +49 8321 67466 200  
Fax +49 8321 67466 199

marine@sonove.com  
www.sonove.com