

MM23 Marine Monitor

The Marine Monitor MM23 satisfies the requirements of high quality graphical user interface for vessels and other marine applications. As you would expect it is fully certified by DNV and GL. The MM series is available with antireflex glass or with resistive touch screen in the widescreen 16:9 display size suitable for marine applications. Multi-video-input, DC or AC power supply and front side data inputs allows flexible usage.

The brilliant display with LED backlight is dimmable down to 0 and fulfills the requirements of EN 60945 for bridge use

SONOVE Services

- ✓ **Customer-specific Front Design**
- ✓ **Customized remote control and specific multi video In functions**
- ✓ **Customized Systems (HW / SW) incl. DNV GL Type Approvals**

Technical Data MM23

23" TFT Display in widescreen 16:9, resolution 1920 x 1080, brightness: 300 cd, LED Backlight, contrast 1000:1

**antireflex glass / resistive touch
IP65 Front, iP40 back**

Video In: VGA, DVI, S-Video, Composite

**Multi video In functions, e.g.
Picture in Picture**

4 USB, 2 available at the front

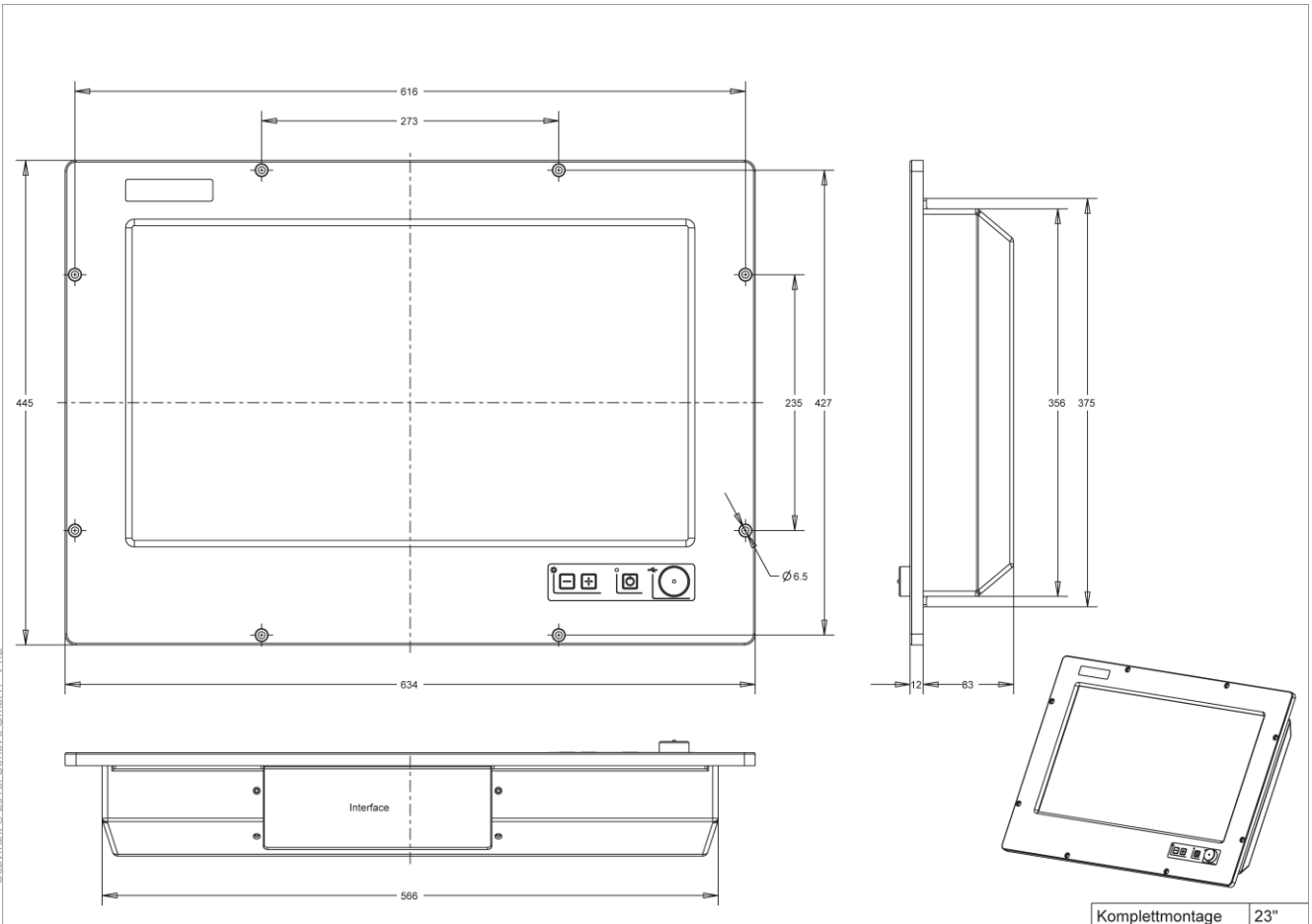
**Power supply:
24 VDC / 230 VAC,**

Temp. -15°C to +55°C

**Type Approvals:
DNV GL**

Tested acc. to EN 60945





Order information

Marine Monitor 20		
MM23 Glass DC	580.xx2.0000	Marine Monitor MM23, 23" TFT, antireflex glass, without Touch, Power supply 24VDC
MM23 RT DC	585.xx2.0000	Marine Monitor MM23, 23" TFT, resistive Touch, Power supply 24VDC
MM23 Glass AC	580.xx1.0000	Marine Monitor MM23, 23" TFT, antireflex glass, without Touch, Power supply 230VAC
MM23 RT AC	585.xx1.0000	Marine Monitor MM23, 23" TFT, resistive Touch, Power supply 230VAC

Sonove GmbH
 Hindelanger Str. 33
 87527 Sonthofen
 Deutschland
 Tel: +49 8321 67466 200
 Fax +49 8321 67466 199

marine@sonove.com
 www.sonove.com