



**SONOVE M2**  
**Maritime Monitor**  
**Classic Series**





- ✓ Designed for Maritime Applications
- ✓ Display Sizes: 19", 17", 15"
- ✓ Resistive Touch or Antireflex Glass
- ✓ Full Range Dimming (0 .. 100%)
- ✓ Fanless Cooling System
- ✓ „Made in Germany“
- ✓ Certifications: DNV, EU RO MR, Tested according to EN 60945

### Display

M2C-M-19 <sup>(1)</sup>	19 inch, 1280 x 1024, 5:4, 300 cd/m <sup>2</sup>
M2C-M-17 <sup>(1)</sup>	17 inch, 1280 x 1024, 5:4, 300 cd/m <sup>2</sup>
M2C-M-15 <sup>(1)</sup>	15 inch, 1024 x 768, 4:3, 350 cd/m <sup>2</sup>

### Remote Control

DDC	DDC Remote Control on all Video Inputs
COM	Various Serial Remote Protocols
I/O	Remote Control I/O Interface with Digital/Analog Inputs and Outputs

### Interface

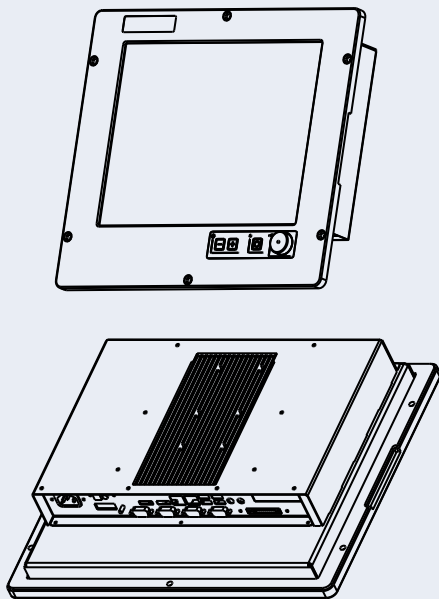
Video In	2 x DVI-I 1 x VGA
USB	Capacitive Multi-Touch
OSD	OSD Keypad with LED on Backside
Dig. In	Dimming(+/-), Video Input Select, Buzzer Control
Dig. Out	Relais Output (galv. isolated) for External Buzzer
Analog Out	External Status LEDs
Analog In	Potentiometer Input for Dimming
COM	Serial Interface for Remote Protocol <ul style="list-style-type: none"> <li>• RS232, RS485/422 configurable in OSD</li> <li>• COM (x1), COM (x2) for Daisy-Chain</li> </ul>

<sup>(1)</sup> Available Q3/2022, Type Approval in progress

## Mounting Options

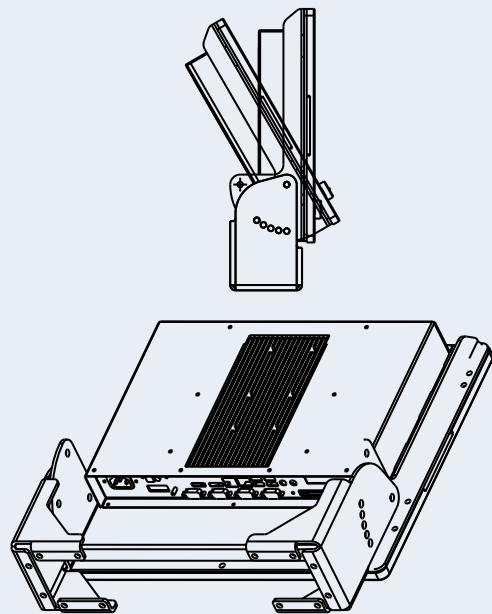
### Flush Mount

- ✓ Flush Mounting with Console Mounting Kit
- ✓ Front Keys, Power On/Off and Dimming  
Multi-Color Status LEDs
- ✓ Resistive Touch or Antireflex Glass
- ✓ M2C Control Interface

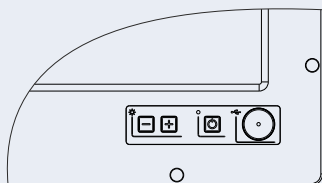


### Desktop, Wall, Ceiling

- ✓ Desk, Wall, Ceiling Mounting with Mounting Bracket



### M2C Front Keys and LEDs



- ✓ Front Keys, Power On/Off with Status LED
- ✓ Front Keys for Dimming
- ✓ 2 x USB 2.0, Protected by Screw Cap (optional)
- ✓ All Keys with Backlight (dimnable)
- ✓ Multi-Color Status LEDs (Software API available)

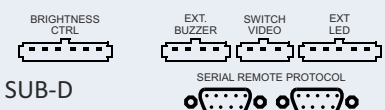
### M2C Remote Control Interface

- ✓ RS 232/485/422 for Remote Control
- ✓ Dig. IN for Dimming Keys (+/-) and Potentiometer IN
- ✓ Dig. IN for Video Source Select
- ✓ Buzzer Control IN and Relais OUT for External Buzzer
- ✓ Analog OUT for Multi-Color Status LED

- ✓ Screwless  
Cable Entry Plugs



- ✓ Alternatively  
SMP Connectors and SUB-D





# SONOVE M2 Classic Series Your Monitor for Maritime Applications

## Examples of M2C Monitor standard systems with order information

M2C Monitor, 15 inch		
M2C-M-15 GL AC	541.001.yyyy	Monitor Classic, 15 inch, Glass, 1024 x 768, 4:3, 350 cd/m <sup>2</sup> , 115/230 VAC
M2C-M-15 RT DC	546.002.yyyy	Monitor Classic, 15 inch, Resistive Touch, 1024 x 768, 4:3, 350 cd/m <sup>2</sup> , 24 VDC
M2C-M-15 RT DCAC	546.003.yyyy	Monitor Classic, 15 inch, Resistive Touch, 1024 x 768, 4:3, 350 cd/m <sup>2</sup> , Redundant 24 VDC and 115/230 VAC

M2C Monitor, 17 inch		
M2C-M-17 GL AC	551.001.yyyy	Monitor Classic, 17 inch, Glass, 1280 x 1024, 5:4, 300 cd/m <sup>2</sup> , 115/230 VAC
M2C-M-17 RT DC	556.002.yyyy	Monitor Classic, 17 inch, Resistive Touch, 1280 x 1024, 5:4, 300 cd/m <sup>2</sup> , 24 VDC
M2C-M-17 RT DCAC	556.003.yyyy	Monitor Classic, 17 inch, Resistive Touch, 1280 x 1024, 5:4, 300 cd/m <sup>2</sup> , Redundant 24 VDC and 115/230 VAC

M2C Monitor, 19 inch		
M2C-M-19 GL AC	561.001.yyyy	Monitor Classic, 19 inch, Glass, 1280 x 1024, 5:4, 300 cd/m <sup>2</sup> , 115/230 VAC
M2C-M-19 RT DC	566.002.yyyy	Monitor Classic, 19 inch, Resistive Touch, 1280 x 1024, 5:4, 300 cd/m <sup>2</sup> , 24 VDC
M2C-M-19 RT DCAC	566.003.yyyy	Monitor Classic, 19 inch, Resistive Touch, 1280 x 1024, 5:4, 300 cd/m <sup>2</sup> , Redundant 24 VDC and 115/230 VAC

Sonove GmbH  
Hindelanger Str. 33  
87527 Sonthofen  
Germany

Phone +49 8321 67466 200  
Fax +49 8321 67466 199  
Mail [marine@sonove.com](mailto:marine@sonove.com)  
Web [www.sonove.com](http://www.sonove.com)

