



SONOVE M2
Maritime Monitor
Classic Series



M2C Monitor (Classic Series)

Overview

The Monitors (M2C-M) with screen diagonals of 19, 17 and 15 inches combine classic front bezels with the latest technology. The M2C-Series satisfies the needs of both the latest and future generation of software for vessels and other maritime applications. The classic series is available with antireflex glass or with resistive touch screen. Two different designs allow flush-mounting as well as desktop, wall or ceiling mounting. All systems of the M2C-Series are "Made in Germany", provide high long-term availability and are tested according to EN 60945, EU RO MR⁽¹⁾ approved by DNV GL.



- ✓ Designed for Maritime Automation
- ✓ IP 66, complete front plate is milled from solid aluminium
- ✓ Additional I/O and COM Ports for Remote Control
- ✓ Internal Buzzer and Interface for external Buzzer
- ✓ Full Range Dimming (0 .. 100%)
3 Dimming Modes
- ✓ Designed for Retrofit and Spare Part

Display

M2C-M-19 ⁽¹⁾	19 inch, 1280 x 1024, 5:4, 300 cd/m ²
M2C-M-17 ⁽¹⁾	17 inch, 1280 x 1024, 5:4, 300 cd/m ²
M2C-M-15 ⁽¹⁾	15 inch, 1024 x 768, 4:3, 350 cd/m ²

Remote Control

DDC	DDC Remote Control on all Video Inputs
COM	Various serial Remote Protocols
I/O	Remote Control I/O interface with Digital/Analog Inputs and Outputs

Interface

Video In	2x DVI-I 1x VGA
USB	Capacitive Multi-Touch
OSD	OSD Keypad with LED on backside
Dig. In	Dimming(+/-), Video Input Select, Buzzer Control
Dig. Out	Relais Output (galv. isolated) for external Buzzer
Analog Out	external Status LEDs
Analog In	Potentiometer Input for Dimming
COM	Serial Interface for Remote Protocol <ul style="list-style-type: none">• RS232, RS485/422 configurable in OSD• COM (x1), COM (x2) for daisy-chain

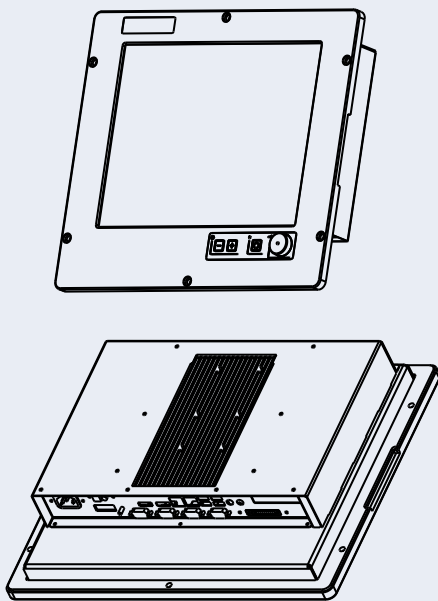
⁽¹⁾ Available Q2/2022, Type Approval in progress

M2C Monitor (Classic Series)

Mounting Options

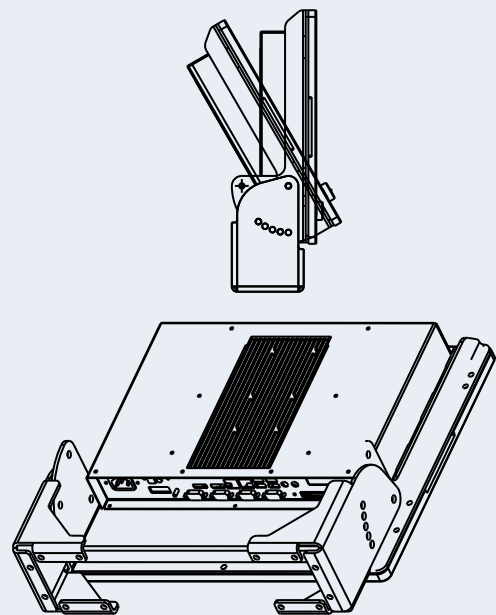
Flush Mount

- ✓ Flush Mounting with Console Mounting Kit
- ✓ Front Keys, Power On/Off and Dimming
Power LED multi-color LEDs
- ✓ Resistive Touch or Antireflex Glass
- ✓ M2C Control Interface

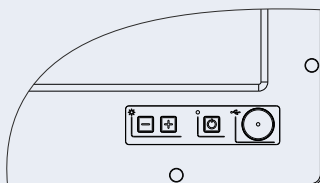


Desktop, Wall, Ceiling

- ✓ Desk, Wall, Ceiling mounting with Mounting Bracket



M2C Front Keys and LEDs

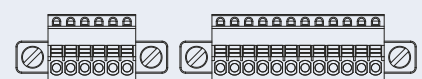


- ✓ Front Keys, Power On/Off with Status LED
- ✓ Front Keys for Dimming
- ✓ 2 x USB 2.0, Protected by screw cap (Optional)
- ✓ All Keys with dimmable backlight
- ✓ Multi-Color Status LEDs (Software API available)

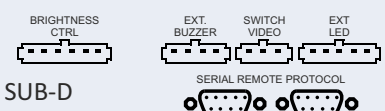
M2C Remote Control Interface

- ✓ RS 232/485/422 for Remote Control
- ✓ Dig. IN for Dimming Keys (+/-) and Potentiometer IN
- ✓ Dig. IN for Video Source Select
- ✓ Buzzer Control IN and Relais OUT for external Buzzer
- ✓ Analog OUT for Multi-Color Status LED

- ✓ Screwless
Cable Entry Plugs



- ✓ Alternatively
SMP Connectors and SUB-D





SONOVE M2 your Monitor for Navigation and Automation

Examples of M2C Monitor standard systems with order information

M2C Monitor, 15 inch

M2C-M-15 GL	541.00x.yyyy	M2C Monitor, 15 inch, Glass
M2C-M-15 RT	546.00x.yyyy	M2C Monitor, 15 inch, Resistive Touch

M2C Monitor, 17 inch

M2C-M-17 GL	551.00x.yyyy	M2C Monitor, 17 inch, Glass
M2C-M-17 RT	556.00x.yyyy	M2C Monitor, 17 inch, Resistive Touch

M2C Monitor, 19 inch

M2C-M-19 GL	561.00x.yyyy	M2C Monitor, 19 inch, Glass
M2C-M-19 RT	566.00x.yyyy	M2C Monitor, 19 inch, Resistive Touch

Sonove GmbH
Hindelanger Str. 33
87527 Sonthofen
Germany

Phone +49 8321 67466 200
Fax +49 8321 67466 199
Mail marine@sonove.com
Web www.sonove.com

