



SONOVE M2 Maritime Monitor



- ✓ Designed for Maritime Automation and Navigation
- ✓ Display Sizes: 27", 24", 24"HB, 18.5", 18.5"HB
- ✓ With or without PCAP Multi-Touch
- ✓ Full Range Dimming (0 .. 100%)
- ✓ Additional I/O and COM Ports for Remote Control
- ✓ ECDIS Compliant / Calibrated for your ECDIS Applications
- ✓ „Made in Germany“
- ✓ Certifications: DNV, EU RO MR, Tested according to EN 60945

Display

M2-M-27	27 inch, 1920 x 1080, 300 cd/m ²
M2-M-24	24 inch, 1920 x 1080, 300 cd/m ²
M2-M-24HB	24 inch, High Bright, 1920 x 1080, 1000 cd/m ²
M2-M-18.5 ⁽¹⁾	18.5 inch, 1920 x 1080, 300 cd/m ²
M2-M-18.5HB ⁽¹⁾	18.5 inch, High Bright, 1920 x 1080, 1000 cd/m ²

Remote Control

DDC	DDC Remote Control on all Video Inputs
COM	Various Serial Remote Protocols
I/O	Remote Control I/O Interface with Digital/Analog Inputs and Outputs

Interface

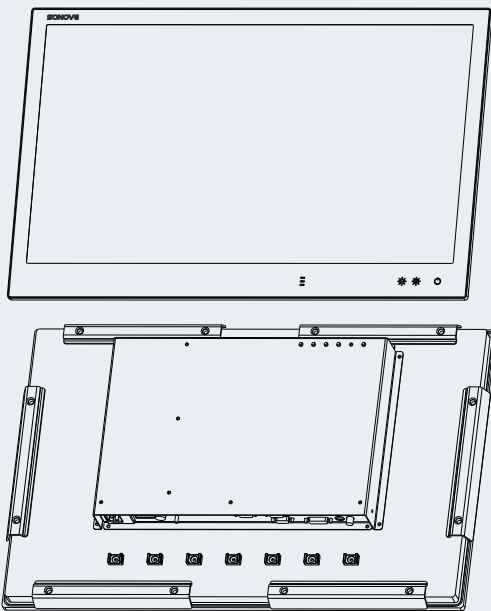
Video In	2 x DVI-I 1 x VGA
USB	Capacitive Multi-Touch
OSD	OSD Keypad with LED on Backside
Dig. In	Dimming(+/-), Video Input Select, Buzzer Control
Dig. Out	Relais Output (galv. isolated) for External Buzzer
Analog Out	External Status LEDs
Analog In	Potentiometer Input for Dimming
COM	Serial Interface for Remote Protocol <ul style="list-style-type: none"> • RS232, RS485/422 configurable in OSD • COM (x1), COM (x2) for Daisy-Chain

⁽¹⁾ Available Q3/2022, Type Approval in progress

Mounting Options

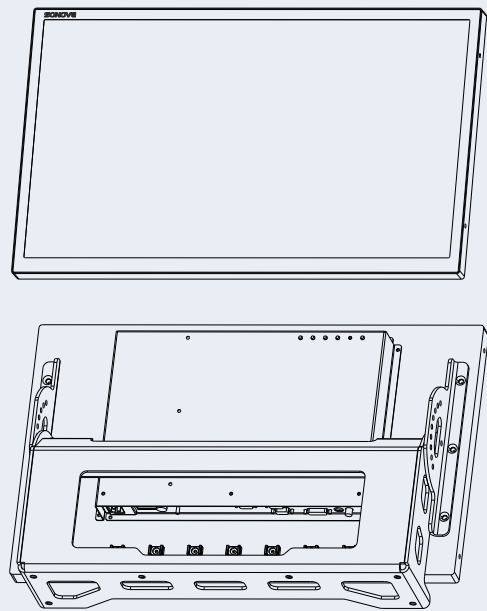
Flush Mount (FM)

- ✓ Flush Mounting with Console Mounting Kit
- ✓ Capacitive Front Keys, Power On/Off and Dimming
Optional Multi-Color Status LEDs
- ✓ Capacitive Multi-Touch or Antireflex Glass
- ✓ M2 Control Interface

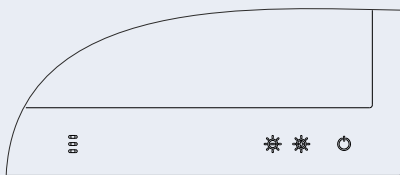


Desktop, Wall, Ceiling

- ✓ Desk, Wall, Ceiling Mounting with Mounting Bracket
- ✓ Thin Frame without any Front Keys and LEDs
(Backside Keys and LED)
- ✓ Capacitive Multi-Touch or Antireflex Glass
- ✓ M2 Control Interface



M2 Front Keys and LEDs



- ✓ Capacitive Front Keys, Power On/Off with Status LED
- ✓ Capacitive Front Keys for Dimming
- ✓ All Keys with Backlight (dimnable)
- ✓ Multi-Color Status LEDs (optional)

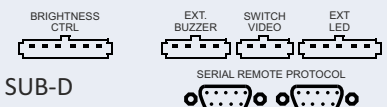
M2 Remote Control Interface

- ✓ RS 232/485/422 for Remote Control
- ✓ Dig. IN for Dimming Keys (+/-) and Potentiometer IN
- ✓ Dig. IN for Video Source Select
- ✓ Buzzer Control IN and Relais OUT for External Buzzer
- ✓ Analog OUT for Multi-Color Status LED

- ✓ Screwless
Cable Entry Plugs



- ✓ Alternatively
SMP Connectors and SUB-D



Examples of M2 Monitor standard systems with order information

M2 Monitor, 18.5 inch		
M2-M-18.5 DT GL DCAC	562.003.yyyy	M2 Monitor, 18.5 inch, Redundant 24VDC and 115/230VAC, 1920 x 1080, 16:9, 300 cd/m ² , 2 x DVI, Accessory Desktop Mounting Bracket ⁽¹⁾
M2-M-18.5 FM CT AC	568.001.yyyy	M2 Monitor, 18.5 inch, Flush Mount, Capacitive Multi Touch, 115/230VAC, 1920 x 1080, 16:9, 300 cd/m ² , 2 x DVI, Accessory Console Mounting Kit
M2 Monitor, 18.5 inch, High Bright		
M2-M-18.5HB DT GL DCAC	562.103.yyyy	M2 Monitor, 24 inch, High Bright, Redundant 24VDC + 115/230VAC, 1920 x 1080, 16:9, 1000 cd/m ² , 2 x DVI, Accessory Desktop Mounting Bracket ⁽¹⁾
M2-M-18.5HB FM CT AC	568.101.yyyy	M2 Monitor, 24 inch, High Bright, Flush Mount, Capacitive Multi Touch, 115/230VAC, 1920 x 1080, 16:9, 1000 cd/m ² , 2 x DVI, Accessory Console Mounting Kit
M2 Monitor, 24 inch		
M2-M-24 DT GL DCAC	582.003.yyyy	M2 Monitor, 24 inch, Redundant 24VDC + 115/230VAC, 1920 x 1080, 16:9, 300 cd/m ² , 2 x DVI, Accessory Desktop Mounting Bracket ⁽¹⁾
M2-M-24 FM CT AC	588.001.yyyy	M2 Monitor, 24 inch, Flush Mount, Capacitive Multi Touch, 115/230VAC, 1920 x 1080, 16:9, 300 cd/m ² , 2 x DVI, Accessory Console Mounting Kit
M2 Monitor, 24 inch, High Bright		
M2-M-24HB DT CT DCAC	587.103.yyyy	M2 Monitor, 24 inch, High Bright, Capacitive Multi Touch, Redundant 24VDC + 115/230VAC, 1920 x 1080, 16:9, 1000 cd/m ² , 2 x DVI, Accessory Desktop Mounting Bracket ⁽¹⁾
M2-M-24HB FM GL DC	583.102.yyyy	M2 Monitor, 24 inch, High Bright, Flush Mount, 24VDC, 1920 x 1080, 16:9, 1000 cd/m ² , 2 x DVI, Accessory Console Mounting Kit
M2 Monitor, 27 inch		
M2-M-27 DT GL DCAC	591.003.yyyy	M2 Monitor, 27 inch, Redundant 24VDC + 115/230VAC, 1920 x 1080, 16:9, 300 cd/m ² , 2 x DVI, Accessory Desktop Mounting Bracket ⁽¹⁾
M2-M-27 FM CT AC	597.001.yyyy	M2 Monitor, 27 inch, Flush Mount, Capacitive Multi-Touch, 115/230VAC, 1920 x 1080, 16:9, 300 cd/m ² , 2 x DVI, Accessory Console Mounting Kit

⁽¹⁾ Not included in delivery scope

Sonove GmbH
Hindelanger Str. 33
87527 Sonthofen
Germany

Phone +49 8321 67466 200
Fax +49 8321 67466 199
Mail marine@sonove.com
Web www.sonove.com

