



# SONOVE M2 Maritime Monitor



# M2 Monitor

## Overview

The innovative Monitors (M2-M) with screen sizes of 27, 24 and 18.5 inch are specially designed for bridge use and navigation. The M2-Series impresses with its brand-new, filigree design and maximum flexibility in configuration and assembly. Two different designs allow flush-mounting as well as desktop, wall or ceiling mounting. Optional features such as Capacitive Multi-Touch, Optical Bonding or High Bright allow intelligent solutions for a wide variety of operating conditions. All systems of the M2-Series are "Made in Germany", provide high long-term availability and are tested according to EN 60945, EU RO MR<sup>(1)</sup>, approved by DNV GL.



- ✓ Designed for Navigation and Maritime Automation
- ✓ IP 56, complete front plate is milled from solid aluminium
- ✓ Additional I/O and COM Ports for Remote Control
- ✓ Internal Buzzer and Interface for external Buzzer
- ✓ Full Range Dimming (0 .. 100%)  
3 Dimming Modes
- ✓ ECDIS Compliant / Calibrated for your ECDIS applications

## Display

|                            |  |
|----------------------------|--|
| M2-M 27                    | 27 inch, 1920 x 1080, 300 cd/m <sup>2</sup>                |
| M2-M-24                    | 24 inch, 1920 x 1080, 300 cd/m <sup>2</sup>                |
| M2-M-24HB                  | 24 inch, High Bright, 1920 x 1080, 1000 cd/m <sup>2</sup>  |
| M2-M 18.5 <sup>(1)</sup>   | 18.5 inch, 1920 x 1080, 300 cd/m <sup>2</sup>              |
| M2-M 18.5HB <sup>(1)</sup> | 18.5 inch, High Bright 1920 x 1080, 1000 cd/m <sup>2</sup> |

## Remote Control

|     |   |
|-----|---|
| DDC | DDC Remote Control on all Video Inputs                              |
| COM | Various serial Remote Protocols                                     |
| I/O | Remote Control I/O interface with Digital/Analog Inputs and Outputs |

## Interface

|            |   |
|------------|---|
| Video In   | 2x DVI-I<br>1x VGA  |
| USB        | Capacitive Multi-Touch  |
| OSD        | OSD Keypad with LED on backside   |
| Dig. In    | Dimming(+/-), Video Input Select, Buzzer Control  |
| Dig. Out   | Relais Output (galv. isolated) for external Buzzer  |
| Analog Out | external Status LEDs  |
| Analog In  | Potentiometer Input for Dimming   |
| COM        | Serial Interface for Remote Protocol <ul style="list-style-type: none"> <li>• RS232, RS485/422 configurable in OSD</li> <li>• COM (x1), COM (x2) for daisy-chain</li> </ul> |

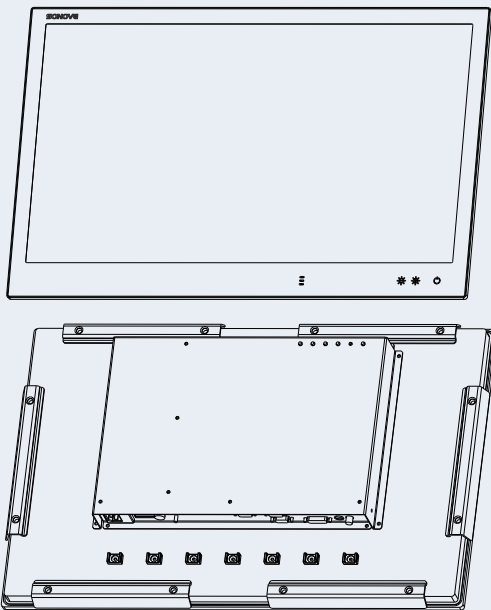
<sup>(1)</sup> Available Q2/2022, Type Approval in progress

# M2 Monitor

## Mounting Options

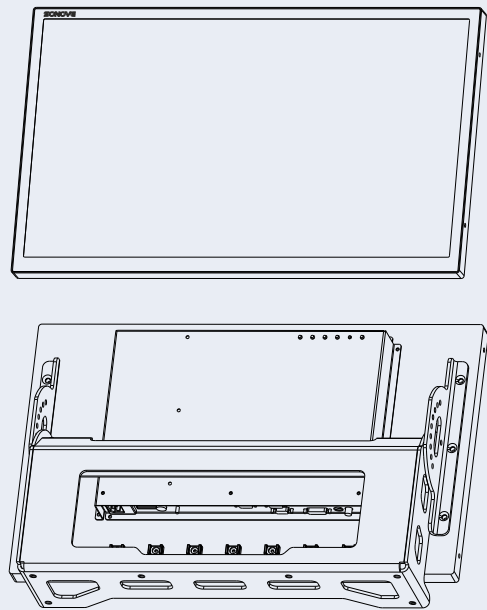
### Flush Mount (FM)

- ✓ Flush Mounting with Console Mounting Kit
- ✓ Capacitive Front Keys, Power On/Off and Dimming  
Optional Multi-Color Status LEDs
- ✓ Capacitive Multi-Touch or Antireflex Glass
- ✓ M2 Control Interface

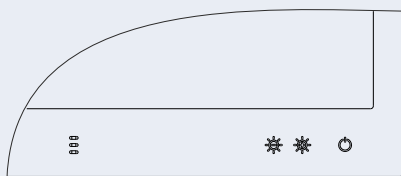


### Desktop, Wall, Ceiling

- ✓ Desk, Wall, Ceiling mounting with Mounting Bracket
- ✓ Extreme small frames without any Front Keys and LEDs  
(Backside Keys and LED)
- ✓ Capacitive Multi-Touch or Antireflex Glass
- ✓ M2 Control Interface



### M2 Front Keys and LEDs

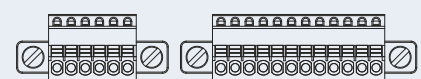


- ✓ Capacitive Front Keys, Power On/Off with Status LED
- ✓ Capacitive Front Keys for Dimming
- ✓ All Keys with dimmable backlight
- ✓ Multi-Color Status LEDs (optional)

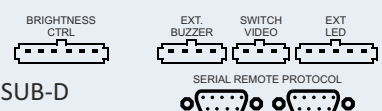
### M2 Remote Control Interface

- ✓ RS 232/485/422 for Remote Control
- ✓ Dig. IN for Dimming Keys (+/-) and Potentiometer IN
- ✓ Dig. IN for Video Source Select
- ✓ Buzzer Control IN and Relais OUT for external Buzzer
- ✓ Analog OUT for Multi-Color Status LED

- ✓ Screwless  
Cable Entry Plugs



- ✓ Alternatively  
SMP Connectors and SUB-D



## Examples of M2 Monitor standard systems with order information

### M2 Monitor, 18.5 inch

|                      |              |  |
|----------------------|--------------|--|
| M2-M-18.5 DT GL DCAC | 562.003.yyyy | M2 Monitor, 18.5 inch, Redundant 24VDC and 115/230VAC, 1920 x 1080, 16:9, 300 cd/m <sup>2</sup> , 2 x DVI, Accessory Desktop Mounting Bracket <sup>(1)</sup> |
| M2-M-18.5 FM CT AC   | 568.001.yyyy | M2 Monitor, 18.5 inch, Flush Mount, Capacitive Multi Touch, 115/230VAC, 1920 x 1080, 16:9, 300 cd/m <sup>2</sup> , 2 x DVI, Accessory Console Mounting Kit   |

### M2 Monitor, 18.5 inch, High Bright

|                        |              |  |
|------------------------|--------------|--|
| M2-M-18.5HB DT GL DCAC | 562.103.yyyy | M2 Monitor, 24 inch, High Bright, Redundant 24VDC +115/230VAC, 1920 x 1080, 16:9, 1000 cd/m <sup>2</sup> , 2 x DVI, Accessory Desktop Mounting Bracket <sup>(1)</sup>  |
| M2-M-18.5HB FM CT AC   | 568.101.yyyy | M2 Monitor, 24 inch, High Bright, Flush Mount, Capacitive Multi Touch, 115/230VAC, 1920 x 1080, 16:9, 1000 cd/m <sup>2</sup> , 2 x DVI, Accessory Console Mounting Kit |

### M2 Monitor, 24 inch

|                    |              |  |
|--------------------|--------------|--|
| M2-M-24 DT GL DCAC | 582.003.yyyy | M2 Monitor, 24 inch, Redundant 24VDC + 115/230VAC, 1920 x 1080, 16:9, 300 cd/m <sup>2</sup> , 2 x DVI, Accessory Desktop Mounting Bracket <sup>(1)</sup> |
| M2-M-24 FM CT AC   | 588.001.yyyy | M2 Monitor, 24 inch, Flush Mount, Capacitive Multi Touch, 115/230VAC, 1920 x 1080, 16:9, 300 cd/m <sup>2</sup> , 2 x DVI, Accessory Console Mounting Kit |

### M2 Monitor, 24 inch, High Bright

|                      |              |  |
|----------------------|--------------|--|
| M2-M-24HB DT CT DCAC | 587.103.yyyy | M2 Monitor, 24 inch, High Bright, Capacitive Multi Touch, Redundant 24VDC + 115/230VAC, 1920 x 1080, 16:9, 1000 cd/m <sup>2</sup> , 2 x DVI, Accessory Desktop Mounting Bracket <sup>(1)</sup> |
| M2-M-24HB FM GL DC   | 583.102.yyyy | M2 Monitor, 24 inch, High Bright, Flush Mount, 24VDC, 1920 x 1080, 16:9, 1000 cd/m <sup>2</sup> , 2 x DVI, Accessory Console Mounting Kit  |

### M2 Monitor, 27 inch

|                    |              |  |
|--------------------|--------------|--|
| M2-M-27 DT GL DCAC | 591.003.yyyy | M2 Monitor, 27 inch, Redundant 24VDC + 115/230VAC, 1920 x 1080, 16:9, 300 cd/m <sup>2</sup> , 2 x DVI, Accessory Desktop Mounting Bracket <sup>(1)</sup> |
| M2-M-27 FM CT AC   | 597.001.yyyy | M2 Monitor, 27 inch, Flush Mount, Capacitive Multi-Touch, 115/230VAC, 1920 x 1080, 16:9, 300 cd/m <sup>2</sup> , 2 x DVI, Accessory Console Mounting Kit |

<sup>(1)</sup>not included in delivery scope

Sonove GmbH  
Hindelanger Str. 33  
87527 Sonthofen  
Germany

Phone +49 8321 67466 200  
Fax +49 8321 67466 199  
Mail [marine@sonove.com](mailto:marine@sonove.com)  
Web [www.sonove.com](http://www.sonove.com)

